

PROFESSIONAL ENGINEERS ONTARIO

National Examinations - May 2014

07-Mec-A5, Electrical & Electronics Engineering

3 hours duration

Name [print]:

Signature:

Notes:

- [1] If doubt exists as to the interpretation of any question, the candidate is urged to submit, with the answer paper, a clear statement of any assumptions made.
- [2] Candidates may use one of two calculators, the Casio or Sharp approved models. This is a closed book examination.
- [3] This examination consists of the front page and 8 numbered pages.
- [4] Any five (5) questions constitute a complete paper. Only the first five questions as they appear in your answer book will be marked.
- [5] Each question is of equal value.
- [6] Clarity and organization of answers are important.
- [7] The candidate is required to sign this examination paper and submit it with the solution booklets.
- [8] $\pi = 3.14159$
 $1 \text{ hp} = 746 \text{ W}$
 $\mu_0 = 4\pi \times 10^{-7} \text{ H m}^{-1}$

Front Page

QUESTION 1

Consider the amplifier circuit shown in Figure 1. Assume an average DC current gain $\beta = 100$ for the npn transistor.

- [a] Determine the values of R_E and R_C required for an operating point of $I_C = 2 \text{ mA}$ and $V_{CE} = 6 \text{ V}$.
- [b] Sketch the I_C vs V_{CE} characteristic and draw the dc load line.
- [c] For $R_L = 3 \text{ k}\Omega$, draw the ac load line and estimate the output voltage v_o for an input current $i_b = 10 \sin \omega t \text{ }\mu\text{A}$.

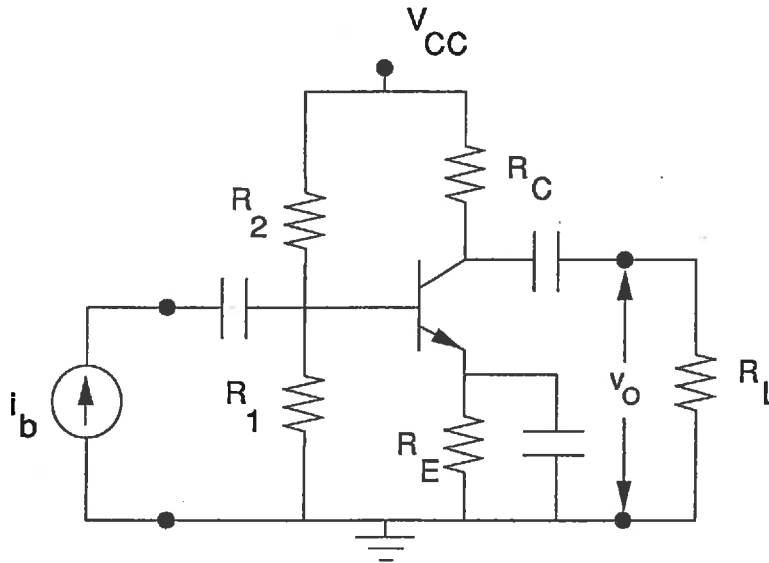


Figure 1 Transistor Circuit

Component List			
$R_1 = 10 \text{ k}\Omega$	$R_2 = 30 \text{ k}\Omega$	$V_{CC} = 15 \text{ V}$	

QUESTION 2

This question consists of two parts which are not necessarily related.

Part I

A combinational logic circuit is shown in Figure 2.

- [a] Write a general Boolean algebra expression for the output F as a function of the inputs A, B.
- [b] Using DeMorgan's theorems and other Boolean identities, simplify the expression obtained in [a]. Is there a single gate which can replace the network shown?
- [c] Generate a truth table giving the logic levels at points C, D, E and F for inputs A,B.

Part II

Design a 2-input exclusive or (EOR) gate using only 2-input NOR gates.

- [d] Develop the truth table for the gate.
- [e] Write a general Boolean algebra expression for the output as a function of the inputs.
- [f] Using DeMorgan's theorems and other Boolean identities, modify the expression obtained in [e] to provide a solution which can be implemented with NOR gates.
- [g] Draw the circuit diagram for the final gate array.

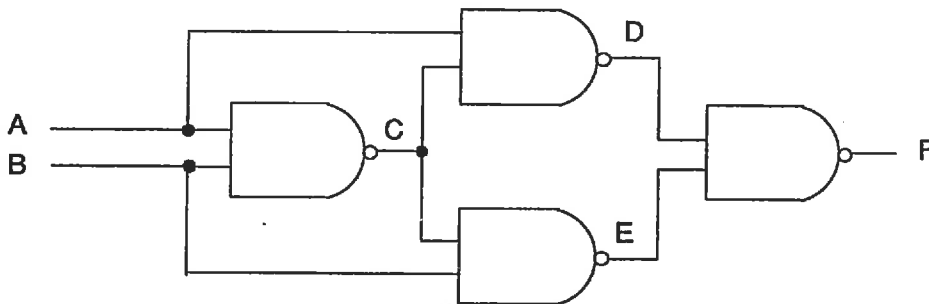


Figure 2 Combinational Logic Circuit

QUESTION 3

A novel type of DC machine is designed using a disc type rotor of effective outer and inner diameters D and d respectively, as shown in Figure 3. A current I_2 is fed radially through the rotor via two ring shaped carbon brushes. The rotor lies in the horizontal plane and is situated in a vertical magnetic field of uniform density, B Tesla. The rotor spins at an angular speed ω rad/s.

- [a] Find the magnitude of the emf e generated between the brushes.
- [b] Determine the torque that the rotor will be subjected to and find the output horsepower of the machine.

HINT: As a starting point, consider an elemental annulus of radius r and radial length dr .

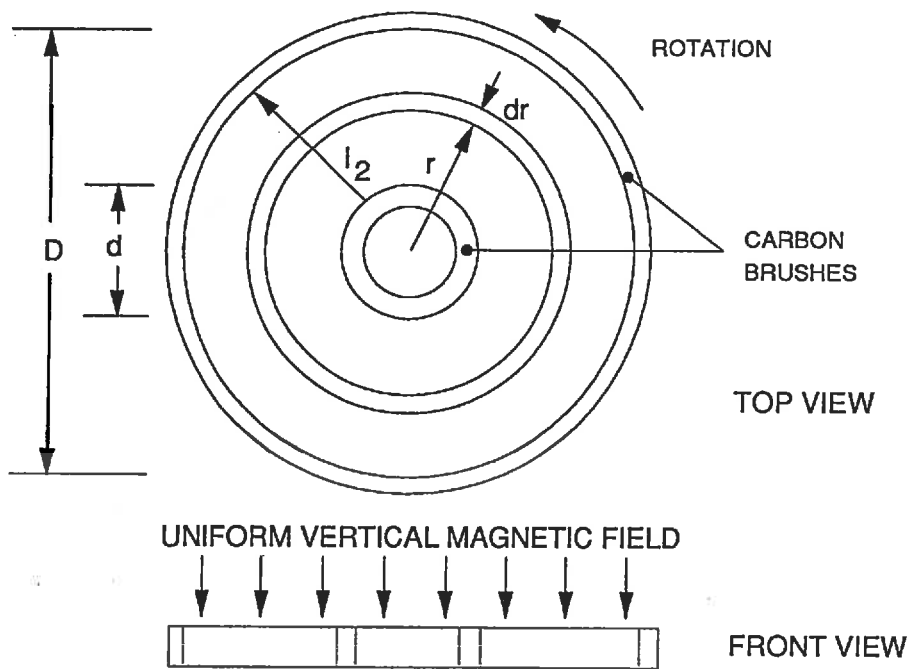


Figure 3 dc Machine

QUESTION 4

Consider the magnetic circuit of a transformer shown in Figure 4. Infinite relative permeability can be assumed for the iron core.

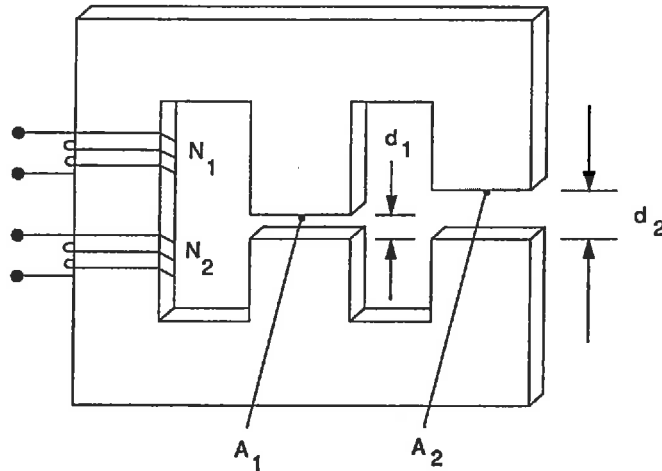


Figure 4 Transformer

The following specifications apply.

L_1	$3.77 \times 10^{-2} \text{ m}$	A_1	0.02 m^2
L_2	$7.54 \times 10^{-2} \text{ m}$	A_2	0.02 m^2
N_1 [primary]	200 turns	N_2 [secondary]	20 turns

When a dc voltage equal to 10 mV is applied to the primary, the measured primary current is 100 mA. When a dc voltage of 0.1 mV is applied to the secondary winding, the measured secondary current is 100 mA.

Assume that leakage inductances and eddy current and hysteresis losses are negligible; consider an operating frequency of 1000 Hz.

- Draw the equivalent circuit of the transformer referred to the primary and calculate component values.
- A transducer with an impedance of 0.078Ω is connected across the secondary of the transformer; an amplifier is connected to the primary. Calculate the output impedance of the amplifier to give maximum power transfer to the load.

QUESTION 5

Consider the circuit shown in Figure 5 which has been designed using ideal operational amplifiers (U_1 to U_3) with infinite bandwidth and infinite open loop gain. In the schematic, a , b and c are constants. You will note that U_3 is configured as a basic difference amplifier which has a transfer function given by:

$$E_0 = c (e_y - e_x)$$

where e_y and e_x are the potentials at points y and x respectively.

In the derivation of the transfer function for such circuits, one can assume:

- [i] Zero differential voltage between the input terminals of the operational amplifier,
- [ii] Zero current flows into either input terminal of the operational amplifier.

Applying the principle of superposition, derive an expression for the transfer function of the total circuit [E_0 as a function of E_1 , E_2].

Hint: Let $E_2 = 0$, and solve for the potentials at points x and y for input E_1 .
Let $E_1 = 0$, and again solve for the potentials at points x and y for input E_2 .
Calculate the resultant output E_0 for both E_1 and E_2 inputs.

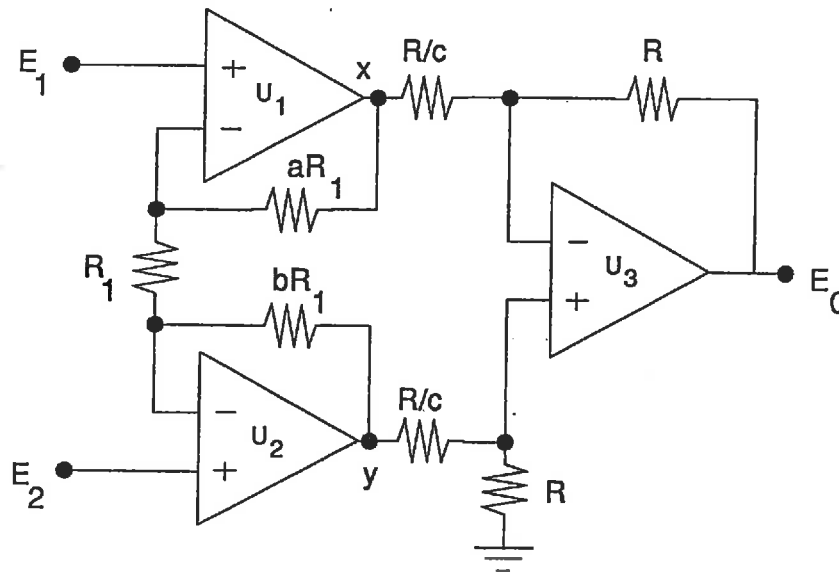


Figure 5 Circuit Schematic

QUESTION 6**Part I**

A dc test is performed on a 208-V, six-pole, delta connected, 60Hz induction motor, as shown in Figure 6.

[a] If $V_{DC} = 3.32$ V and $I_{DC} = 3.1$ A, calculate the per phase stator resistance, r_1 .

Three phase excitation is applied to the motor which runs with a slip of 3.5%. Find:

[b] The speed of the magnetic field in revolutions per minute.

[c] The speed of the rotor in revolutions per minute.

[d] The electrical frequency of the rotor current.

The load on the motor is now doubled. Calculate:

[e] The speed of the rotor in revolutions per minute.

Part II

You are provided with a graph of the speed-torque characteristic of a three phase wound rotor induction motor. The torque required to drive a pump is $T = K_p n^2$ (K_p is a constant; n is speed in revolutions/second). The induction motor is to be used to drive the pump. Show how you would determine the operating point speed of the system.

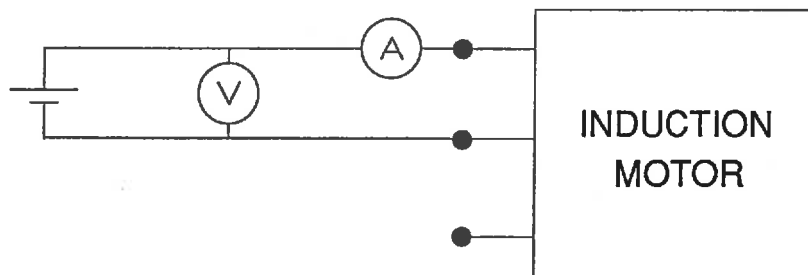


Figure 6 dc Test on Induction Motor

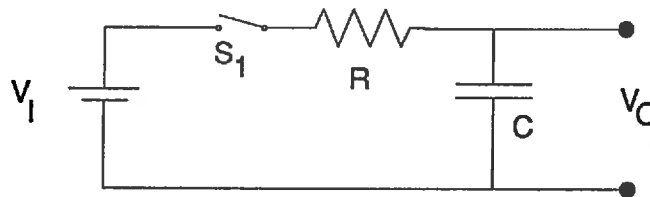
QUESTION 7

Consider the RC circuit shown in Figure 7[a]. The switch S_1 is closed at time $t=0$ connecting the dc supply V_I to the network.

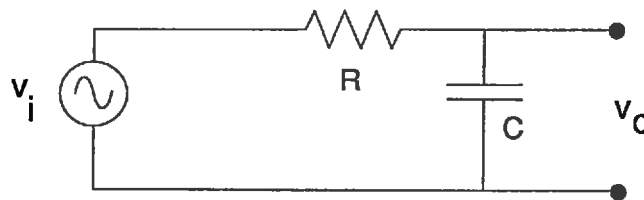
- [a] Derive an expression for the transfer function of the circuit, V_O/V_I , in the time domain.
- [b] Sketch the transfer function for a time interval of 5 time constants.

The RC circuit is reconfigured as shown in Figure 7[b]. An ac voltage source of variable frequency v_i is connected to the input.

- [c] Derive an expression for the transfer function of the circuit, v_o/v_i , in the frequency domain.
- [d] Sketch the magnitude of the transfer function for a frequency range of 4 decades centered at the corner frequency of the circuit.



[a]



[b]

Figure 7 RC Circuit: [a] dc test; [b] ac test

QUESTION 8

An industrial load is represented in Figure 8 by $R = 6\Omega$ and $X_L = 8\Omega$. The load voltage is $250\angle 0^\circ$ V.

- Calculate the load current, power, reactive power and power factor.
- Calculate the generator voltage V_G required at the input end of the transmission line (represented by the series impedance $Z_T = (1 + j3)\Omega$) and the power lost in transmission P_T .
- If capacitor $X_C = 12.5\Omega$ is connected in parallel by closing switch S, calculate I_C , the new load current I, and the new power factor. Show V , I_L , I_C , and I on a phasor diagram.
- Calculate the new generator voltage and the new transmission power loss.
- What two advantages do you see for improving the power factor by adding a parallel capacitor?

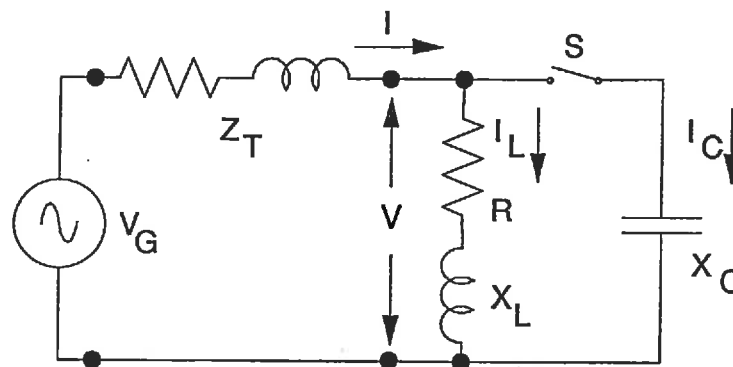


Figure 8 Industrial Load