

NATIONAL EXAMS MAY 2016

07-Str-A1 ELEMENTARY

STRUCTURAL ANALYSIS

3 HOURS DURATION

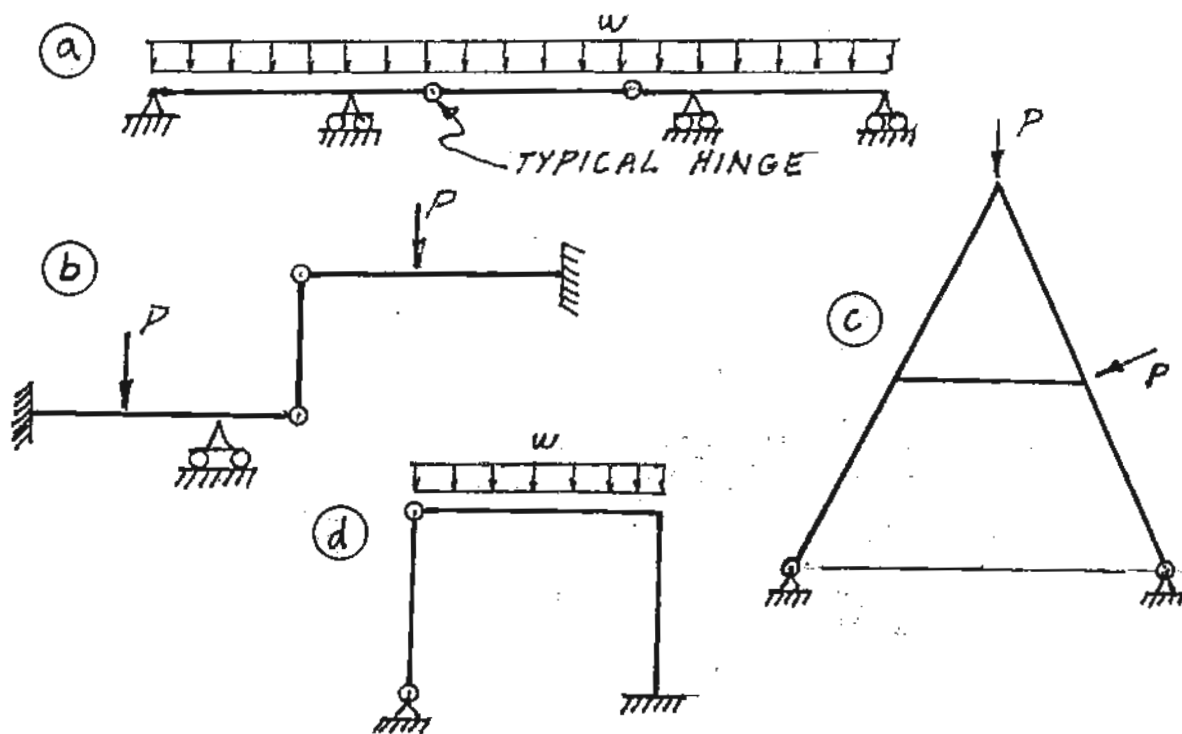
NOTES:

1. If doubt exists as to the interpretation of any question, the candidate is urged to submit with the answer paper a clear statement of any assumption made.
2. Each candidate may use an approved model of Sharp or Casio calculator; otherwise, this is a CLOSED BOOK Examination.
3. Six questions constitute a complete paper. Answer ALL questions #1 through #5; answer ONLY ONE of #6, #7 or #8.
4. The marks assigned to each question are shown in the left margin.

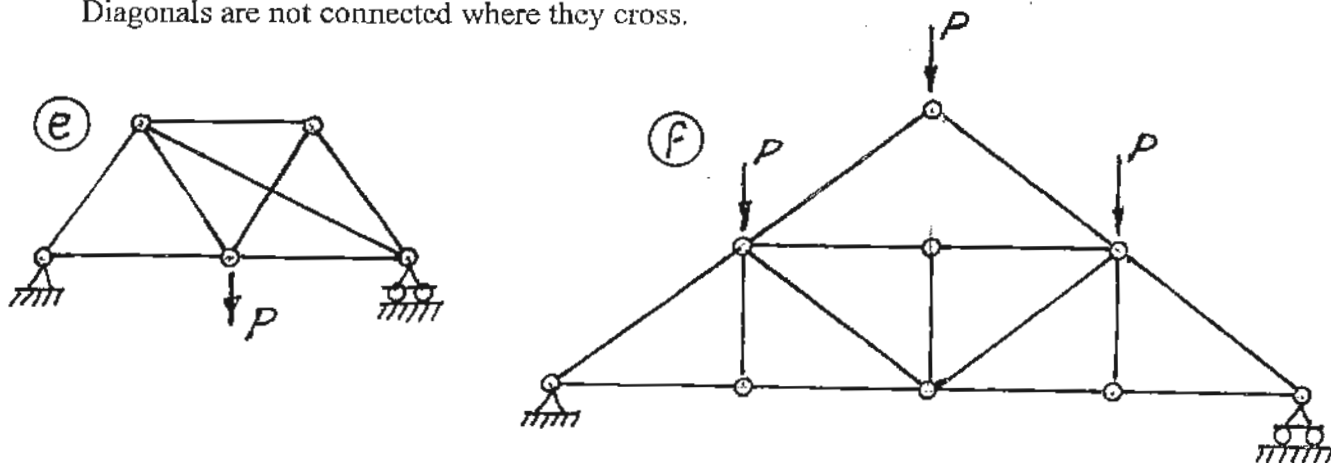
FRONT PAGE

Page 1 of 7

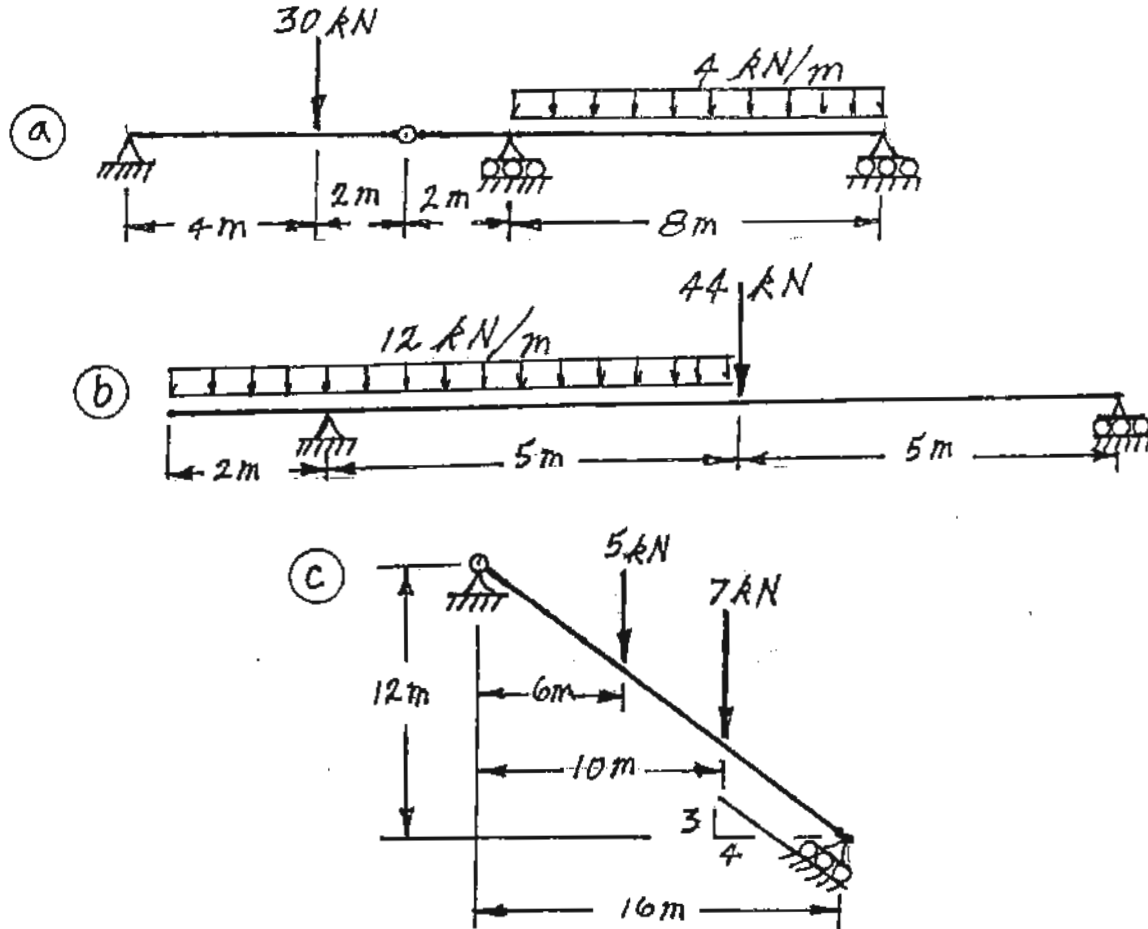
- (6) 1. For each of the structures shown state whether it is unstable, statically determinate, or statically indeterminate. If the structure is statically indeterminate, state the degree of indeterminacy. Structures a) through d) have beam-type members.



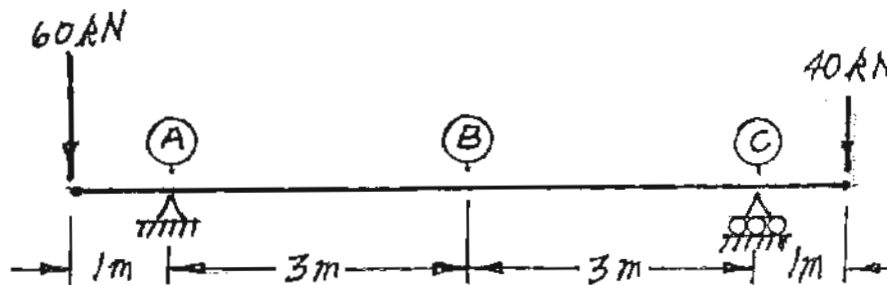
Structures e) and f) have truss-type members.
Diagonals are not connected where they cross.



- (18) 2. For each structure shown, compute the reactions and draw shear and bending moment diagrams. Indicate which are positive and which are negative segments of each bending moment diagram. For each shear and bending moment diagram, calculate and indicate the magnitudes of the maximum positive and negative ordinates.



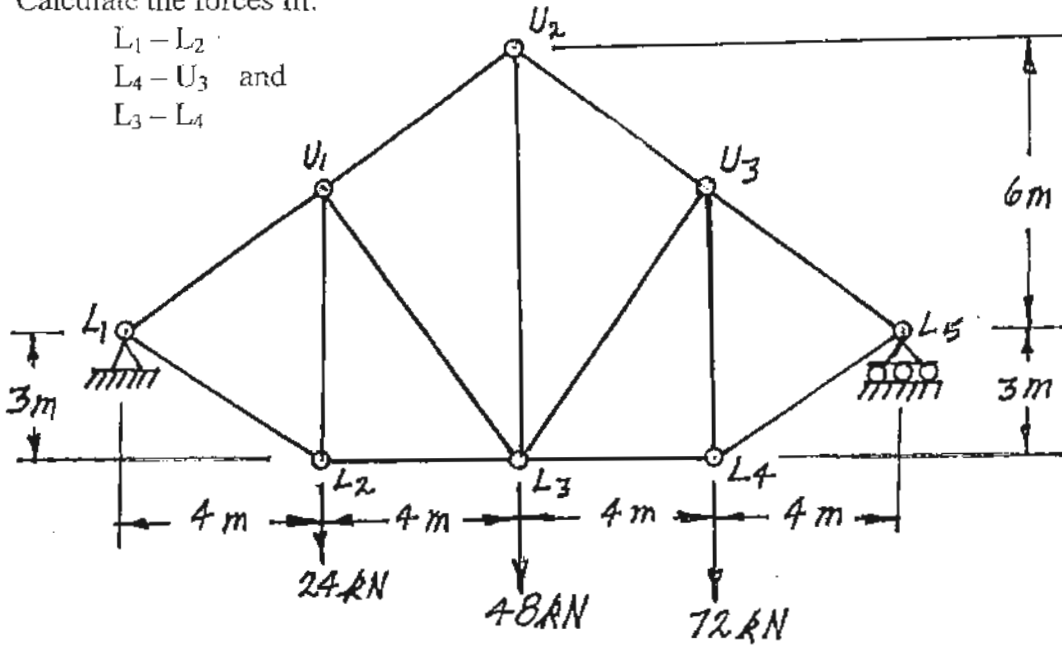
- (15) 3. Calculate the vertical deflection at point (B) on the beam structure shown below.
 $EI = 15,000 \text{ kN}\cdot\text{m}^2$ for all spans.



(18) 4. For the trusses shown below, calculate the forces in the members that are listed. For each force, indicate whether it is tension or compression.

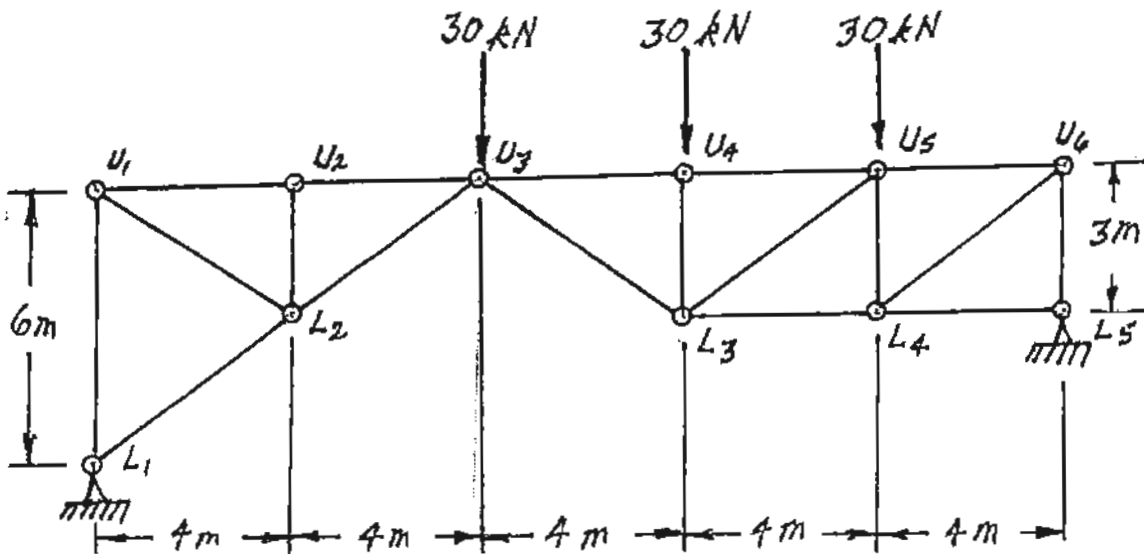
a) Calculate the forces in:

- $L_1 - L_2$
- $L_4 - U_3$ and
- $L_3 - L_4$



b) Calculate the forces in:

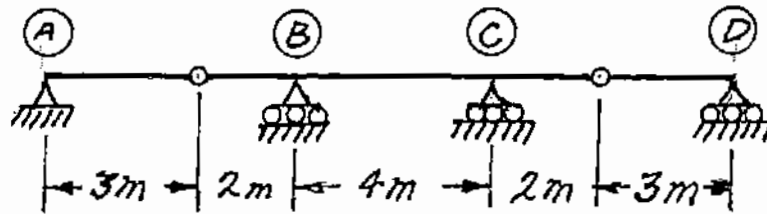
- $U_3 - L_3$
- $L_4 - U_6$ and
- $L_3 - L_4$



- (9) 5. a) For the determinate beams below, draw the influence lines from support (A) to support (D) for:

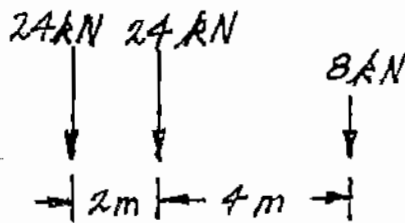
- i) reaction at support (B)
- ii) bending moment over support (B), and
- iii) shear force immediately left of support (C).

For each influence line, calculate and indicate the value of the influence coefficient that has the maximum absolute value.

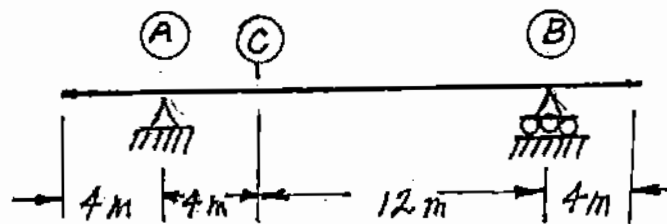


- (12) 5. b) A vehicle, which is idealized as three point loads shown on the left below, moves over the beam structure shown. Draw the influence lines for i) bending moment at point (C) and ii) shear force at point (C). Label the maximum and minimum ordinates on both influence lines. Calculate the bending moment and shear force that have the maximum absolute values at point (C) caused as the idealized vehicle crosses the structure.

Idealized Vehicle

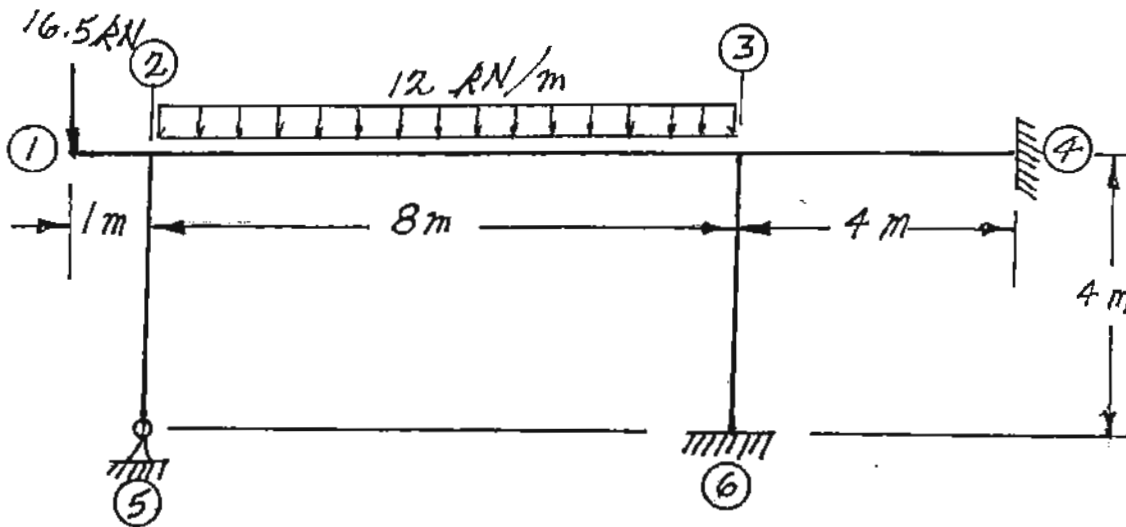


Direction of Travel

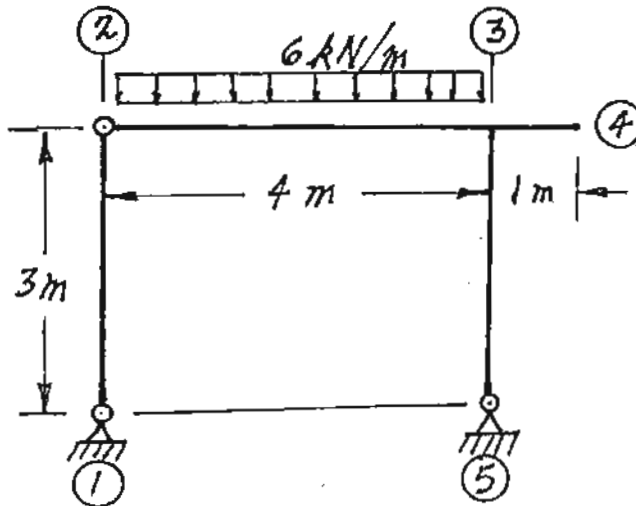


Select and answer ONE QUESTION ONLY from Question #6, #7 or #8.

- (22) 6. For the frame shown below, using the moment-distribution method or the slope-deflection method, calculate and plot the shear force and bending moment diagrams. On both diagrams, for each member, calculate and label the maximum and minimum ordinates (Minimum ordinates are frequently negative values). All members have the same EI value and are inextensible.



- (22) 7. Use the principle of virtual work to calculate the vertical deflection at point 4 on the frame structure shown below. All members are inextensible and have the same EI value which is $2,000 \text{ kN.m}^2$.



Select and answer ONE QUESTION ONLY from Question #6, #7 or #8.

- (22) 8. For the structure shown below, compute the reactions and draw shear force and bending moment diagrams. On both diagrams, for each member, calculate and label the maximum and minimum ordinates (Minimum ordinates are frequently negative values).

